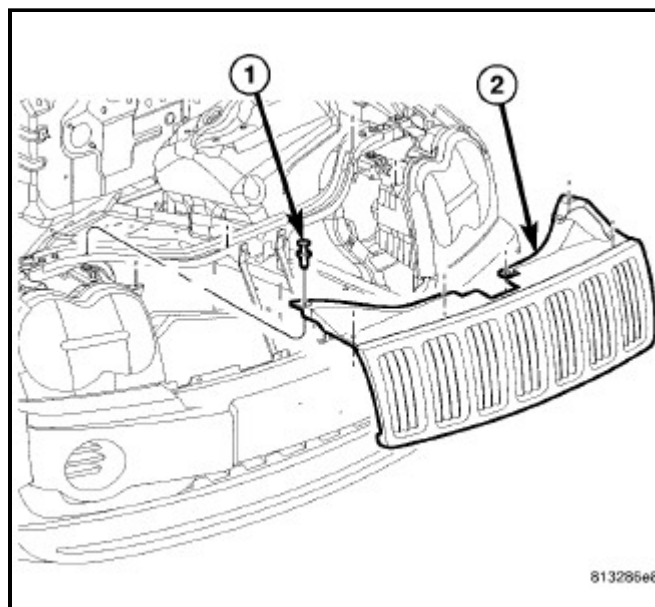
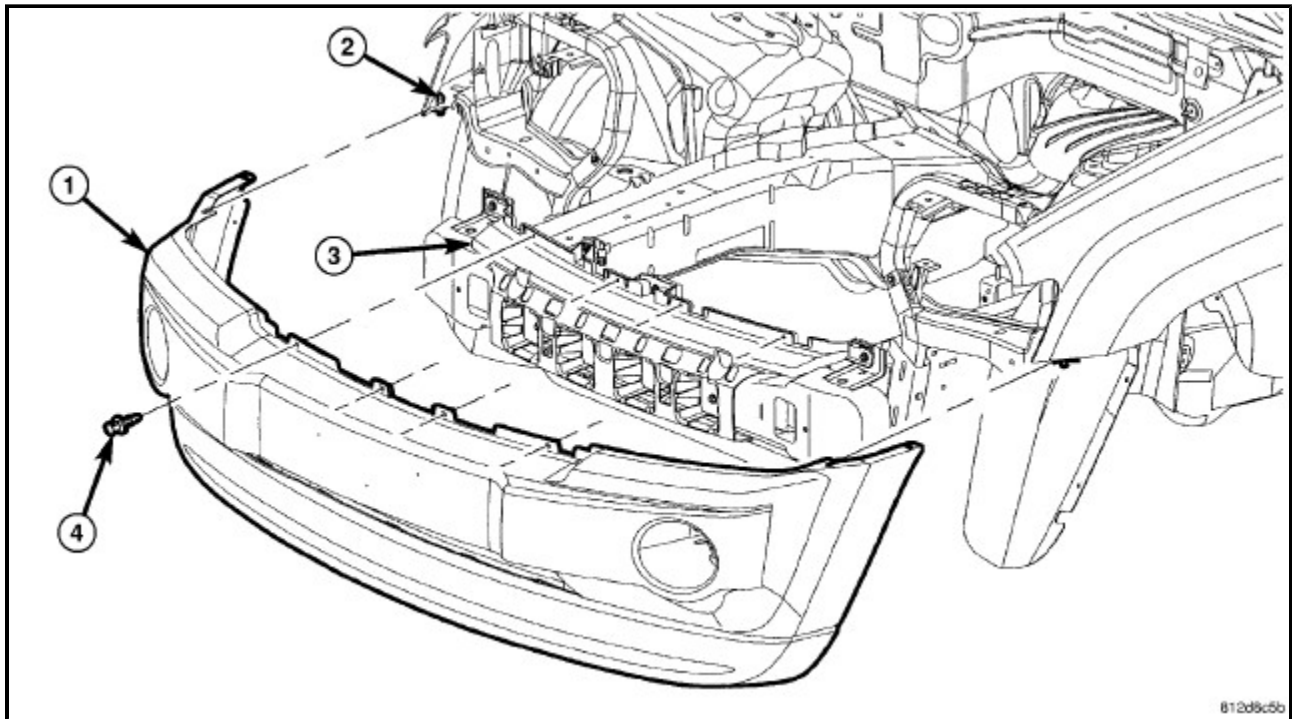


REMOVAL, GRILL (WK)

1. Remove the 6 upper push pins (1).
2. Tip grill forward and remove grill (2).

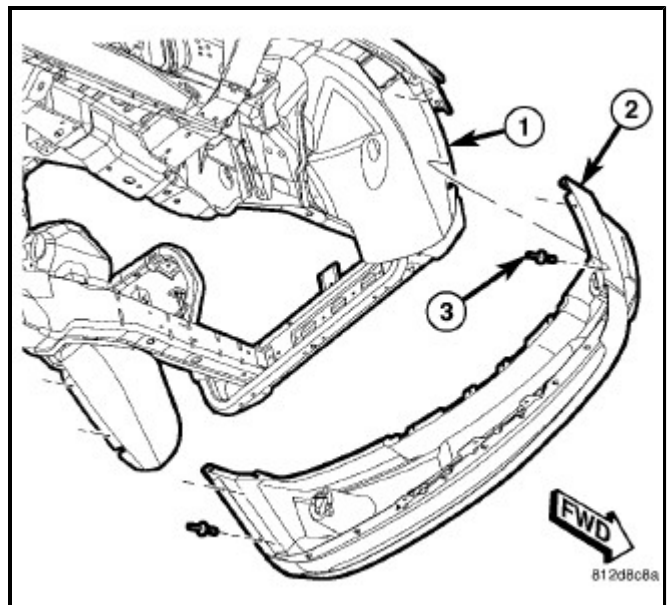


REMOVAL, FRONT FASCIA

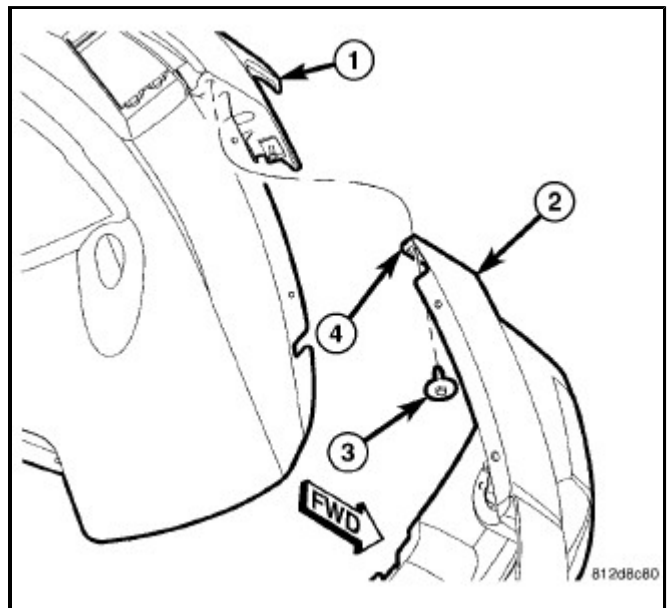


1. Remove the grille.

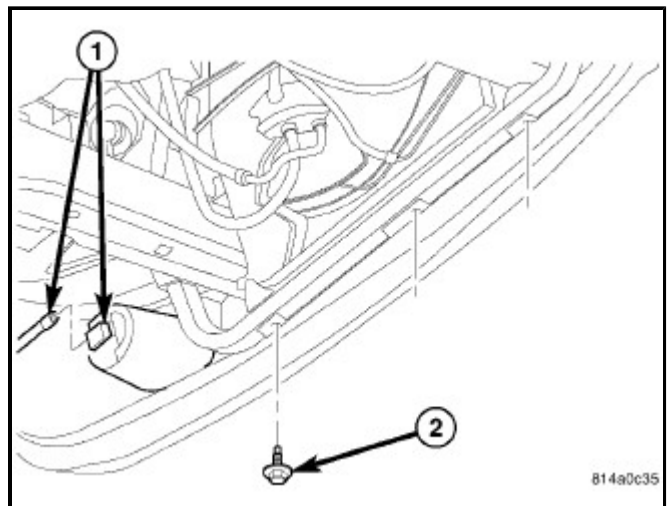
3. Remove the plastic rivets (3) at each wheelhouse splash shield (1).



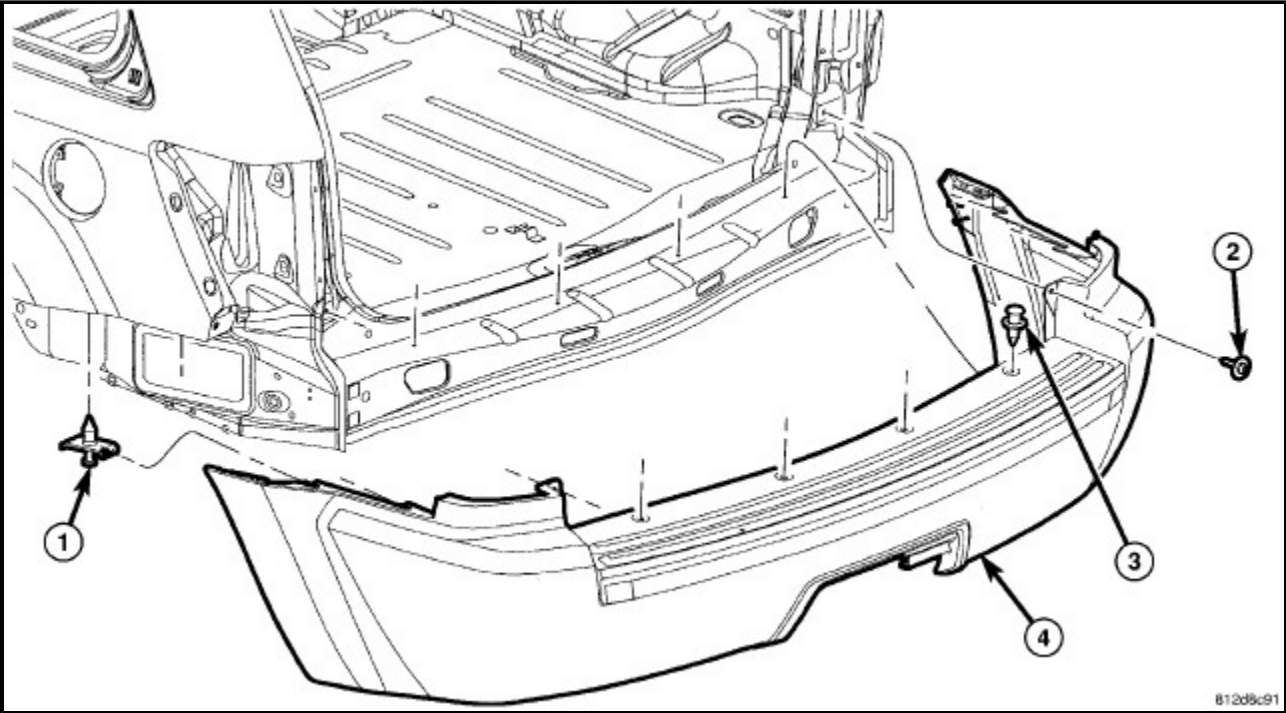
4. Remove the screws (3) from inside the fascia (2).



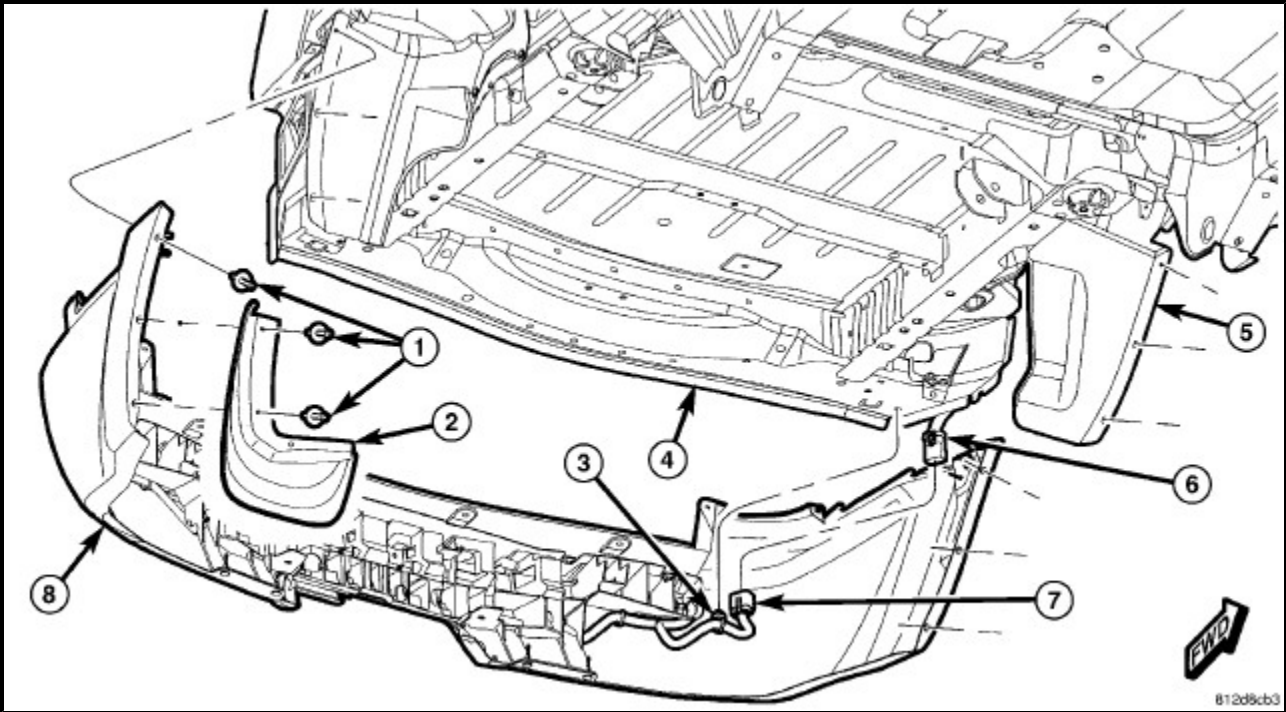
5. Remove the three lower screws (2).
6. Disconnect the fog lamp electrical connectors (1), if equipped.



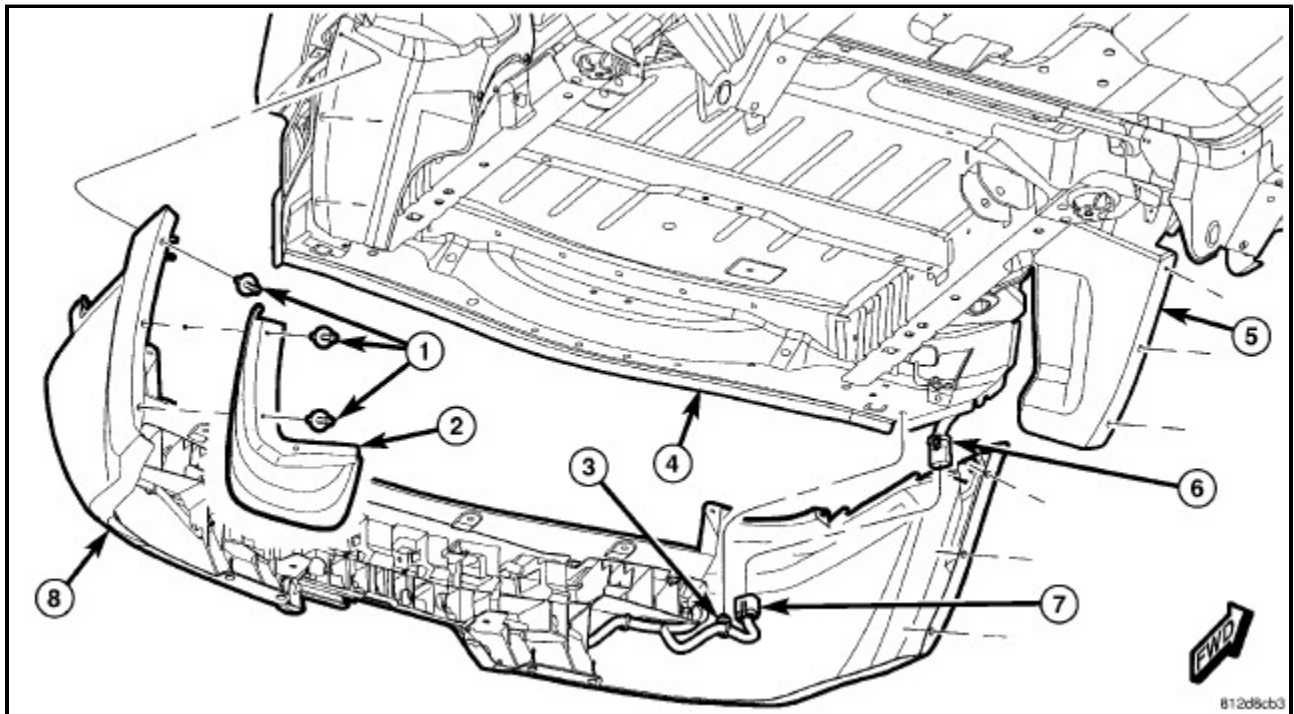
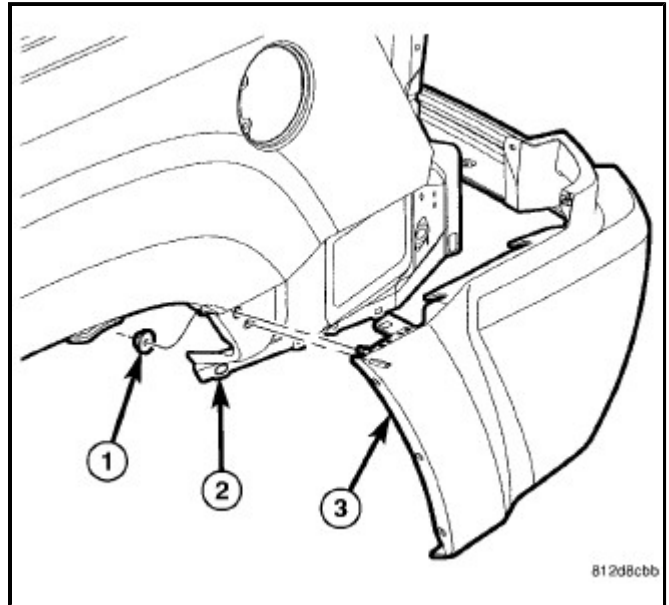
REMOVAL, REAR FASCIA



- 1. Open the liftgate.
- 2. Remove the four push pin fasteners (3) and 2 screws (2) at the step pad area.



3. Remove the plastic rivets at the wheel wells (1).
4. Remove the two push pin fasteners and remove the rear wheel splash shields.
5. Remove the nuts (1) at the back sides of the quarter panels (2).



6. Remove the fascia (8) and disconnect the electrical connector (6 AND 7).
7. Remove the four push pin fasteners and the energy absorber.
8. Disconnect the park assist electrical sensors.
9. Remove the park assist sensors.